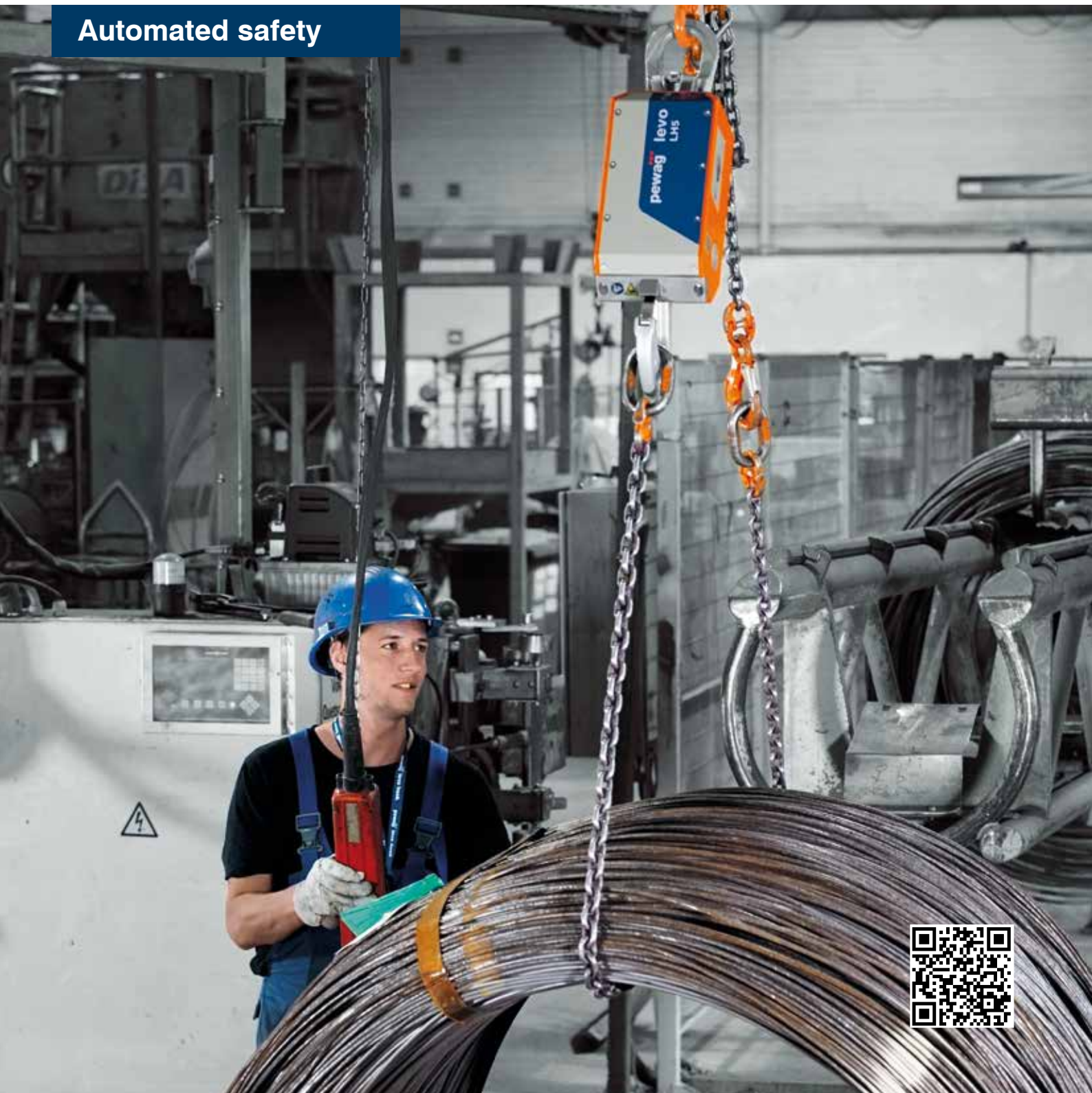


# pewag levo

Automated safety



## Occupational safety and enhanced efficiency are our top priorities.

Manual tasks, such as loading and unloading loads, demand significant resources and consume a considerable amount of time. The pewag levo hook and pewag levo clamp, which can be controlled remotely, offer a smart solution. The pewag levo product family ensures a safe and reliable working environment for employee, material and load.

### levo - smart facts for smart lifting

- Automated loading and unloading from a safe distance (100 m).
- Use of a high-quality rechargeable lithium-ion battery (84.42Wh) with additional over- and undercharging protection.
- The dual safety mechanism makes levo products the safest remote-controlled slings in the world.
- Optimised transmission system
- Protection class IP65
- Additional coatings (PCP, GZN, FLZN) to increase service life under extreme environmental conditions.
- Operating temperature -20°C to +60°C (extension possible)



**pewag levo hook & pewag levo clamp**



#### 100 % safe (ISO 13849)

Accidental opening of the levo hook under load is impossible secured communication between hook and remote control, safety factor against break: 4:1



#### Excellent pewag quality

Patented tool-free locking of the rotation lock, tool-free initial mounting, TÜV-certified, pewag know-how



#### Complete range of services (on-the-job training)

E-learning, on- site trainings, pewag expert support during initial operation, repair

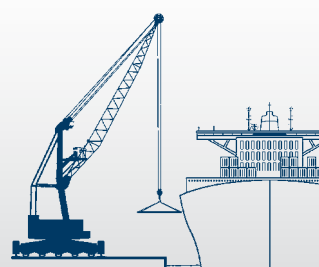
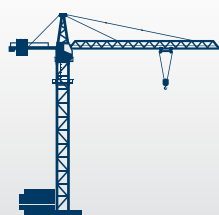













#### Cost and time savings through efficient workflows



Igor Tomasec  
Technical Product Manager

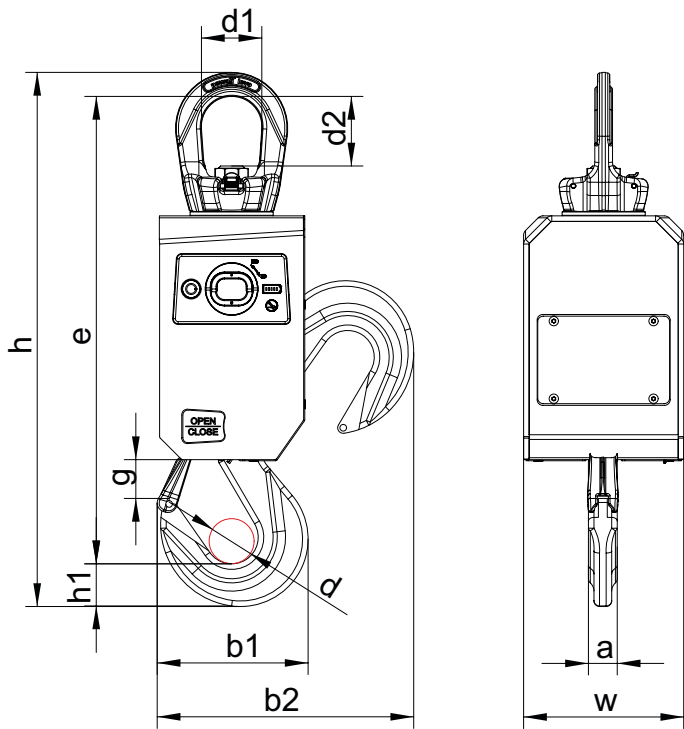
„With pewag levo you lift safely and efficiently!“



					
Basic equipment	pewag levo hook LH4	pewag levo hook LH8	pewag levo hook LH16	pewag levo hook LH32	pewag levo clamp LC3
Remote control 	<input checked="" type="checkbox"/>	<input checked="" type="checkbox"/>	<input checked="" type="checkbox"/>	<input checked="" type="checkbox"/>	<input checked="" type="checkbox"/>
Battery 	<input checked="" type="checkbox"/>	<input checked="" type="checkbox"/>	<input checked="" type="checkbox"/>	<input checked="" type="checkbox"/>	<input checked="" type="checkbox"/>
Charger 	<input checked="" type="checkbox"/>	<input checked="" type="checkbox"/>	<input checked="" type="checkbox"/>	<input checked="" type="checkbox"/>	<input checked="" type="checkbox"/>
Per Equipment					
Light module 	<input type="checkbox"/>	<input checked="" type="checkbox"/>	<input checked="" type="checkbox"/>	<input checked="" type="checkbox"/>	<input checked="" type="checkbox"/>
Magnet module 	<input type="checkbox"/>	<input checked="" type="checkbox"/>	<input checked="" type="checkbox"/>	<input checked="" type="checkbox"/>	<input type="checkbox"/>
levo Manager Software 	<input checked="" type="checkbox"/>	<input checked="" type="checkbox"/>	<input checked="" type="checkbox"/>	<input checked="" type="checkbox"/>	<input checked="" type="checkbox"/>
Weighing cell*	<input checked="" type="checkbox"/>	<input checked="" type="checkbox"/>	<input checked="" type="checkbox"/>	<input checked="" type="checkbox"/>	<input type="checkbox"/>
Heat protection*	<input checked="" type="checkbox"/>	<input checked="" type="checkbox"/>	<input checked="" type="checkbox"/>	<input checked="" type="checkbox"/>	<input type="checkbox"/>
Impact protection*	<input checked="" type="checkbox"/>	<input checked="" type="checkbox"/>	<input checked="" type="checkbox"/>	<input checked="" type="checkbox"/>	<input type="checkbox"/>

\* on request

# pewag levo hook LH4



The **pewag levo hook LH4** is compact and lightweight, featuring the advanced power electronics of the LH8 model!

**levo safety feature** – Prevents unintentional opening under a load of 20 kg or more.

Code	Load capacity [kg]	e [mm]	a [mm]	b1 [mm]	b2 [mm]	d [mm]	d1 [mm]	d2 [mm]	g [mm]	h [mm]	h1 [mm]	w [mm]	Own weight [kg]
LH 4	4.000	421	28	136	230	30	54	61	35	482	38	144	13,00

## Examples of use:

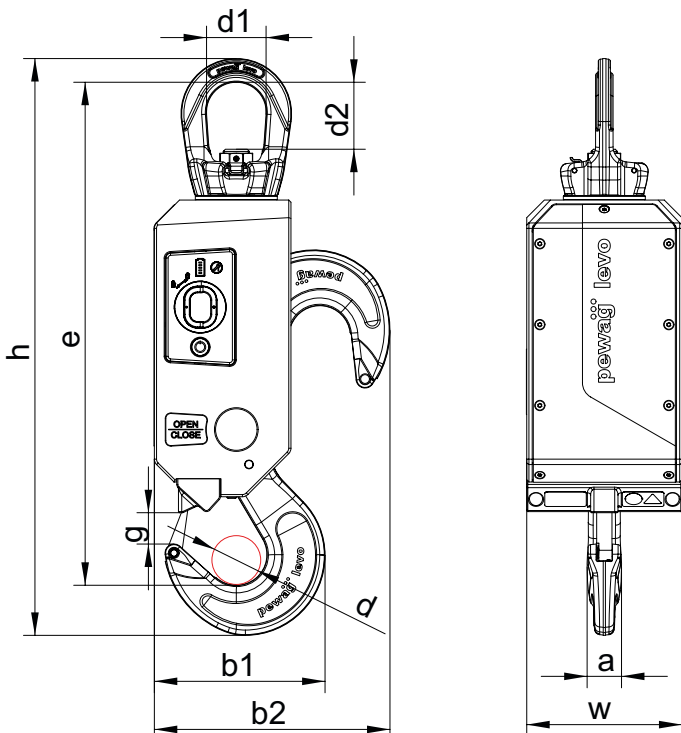


Port Industry



Steel Industry

# pewag levo hook LH8



The **pewag levo hook LH8** provides advanced functionality, enhancing the flexibility of any lifting operation. Furthermore, the LH8 can be fitted with a magnet. With the powerful combination of motor and battery, the hook can operate for up to 70 hours.

**levo safety feature** – Prevents unintentional opening under a load of 20 kg or more.

Code	Load capacity [kg]	e [mm]	a [mm]	b1 [mm]	b2 [mm]	d [mm]	d1 [mm]	d2 [mm]	g [mm]	h [mm]	h1 [mm]	w [mm]	Own weight [kg]
LH 8	8.000	460	32	156	220	35	54	61	22	528	46	142	20,00

## Examples of use:

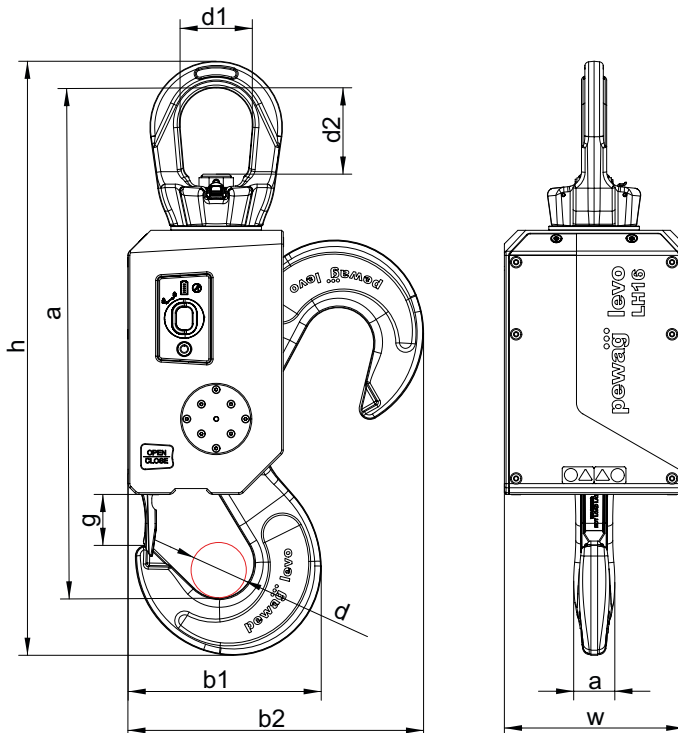


Port Industry



Steel Industry

# pewag levo hook LH16



The pewag **levo hook LH16** is equipped with a magnet capable of lifting ferromagnetic materials weighing up to 12.5 kg. The placement of the magnet allows for effortless central positioning of the load.

**levo safety feature** – Prevents unintentional opening under a load of 40 kg or more.

Code	Load capacity [kg]	e [mm]	a [mm]	b1 [mm]	b2 [mm]	d [mm]	d1 [mm]	d2 [mm]	g [mm]	h [mm]	h1 [mm]	w [mm]	Own weight [kg]
LH 16	16.000	609	49	227	356	57	86	103	59	709	64	214	59,00

## Examples of use:

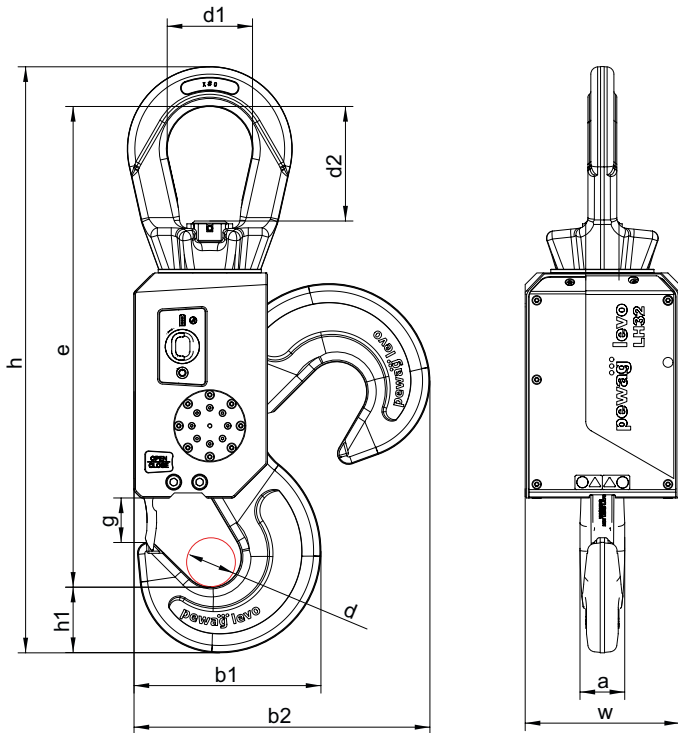


Steel Industry



Concrete Industry

# pewag<sup>®</sup> levo hook LH32



The pewag **levo hook LH32** comes with an additional brake that prevents the hook from automatically lowering when the hook is open. The optional magnet enables lifting of ferromagnetic materials weighing up to 12.5 kg. Furthermore, the placement of the magnet allows for effortless central positioning of the load.

**levo safety feature** – Prevents unintentional opening under a load of 80 kg or more.

Code	Load capacity [kg]	e [mm]	a [mm]	b1 [mm]	b2 [mm]	d [mm]	d1 [mm]	d2 [mm]	g [mm]	h [mm]	h1 [mm]	w [mm]	Own weight [kg]
LH 32	32.000	666	62	259	411	57	118	159	61	813	91	214	79,00

## Examples of use:



Steel Industry



Wind Industry

# pewag levo clamp LC3

## Optimise lifting processes.

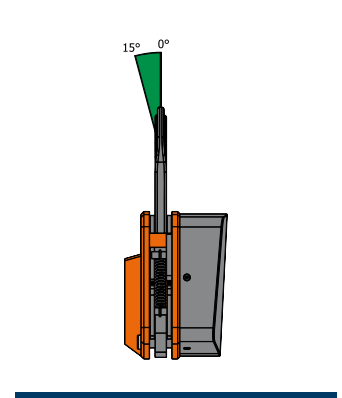
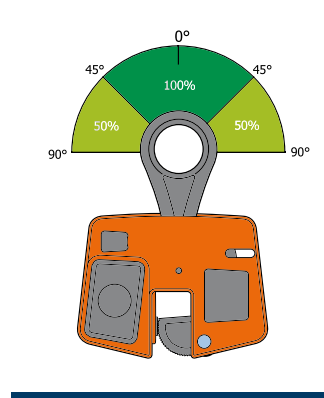
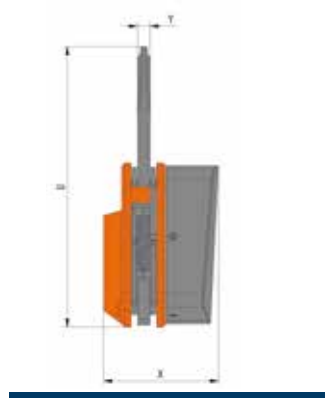
The pewag levo clamp is a vertical lifting clamp designed to simplify standardised lifting processes and to make them safer.

### Following aspects have to be considered during usage:

- The pewag levo clamp is suitable for lifting and transporting steel plates with a maximum hardness of 37 HRC or 345 HB.
- The minimum permissible load is 300 kg.
- The maximum diameter of the load to be lifted is 30 mm.



Code	Load capacity [kg]	Mouth width R [mm]	T [mm]	S [mm]	W [mm]	V [mm]	U [mm]	Y [mm]	X [mm]	Weight approx. [kg/Stk.]
LC 3	3.000	0-35	64	96	115	273	356	16	145	19,00



Steel Industry



Shipbuilding Industry

# pewag levo remote control

## Reliable standard.

The pewag levo standard remote control is used to operate the pewag levo hook or the pewag levo clamp. It enables safe lifting and placement from a distance.

The lightweight and ergonomic design makes the levo remote control easy and comfortable to use. The additional plastic seal protects against damage (e.g. impact). The remote control enables the simultaneous control of up to 20 pewag levo products.

### More details

- Range: up to 100 m in open areas
- Radio frequencies: 868, 915, 916 Mhz
- Battery life: approx. 6 months\*.
- Power supply: 3 pcs. AA 1.5V batteries
- Protection class: IP65
- Operating temperature: -20°C to +60°C

\* Depending on battery manufacturer and operating temperature



pewag levo remote control: Standard

## The levo service-promise.

Under the aspect that „every application is different“, we are happy to develop individual solutions for our customers. For example: an 8-fold remote control.



pewag levo 8-way remote control

Stand: 04.10.2023

## Applied standards:

General/Mechanical Components:

- ISO 9001
- EN 13155
- EN 10204 3.1.B
- Machinery Directive 2006/42/EG
- ASME B30.20
- UL 508
- CSA C22.2 No. 14-13

## Electronic components:

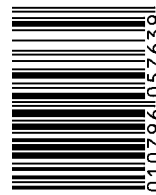
- |                |                     |
|----------------|---------------------|
| • ISO 12100    | EN 61000-4-8        |
| • ISO 13849-1  | EN 61000-6-4        |
| • ISO 13849-2  | EN 61000-6-2        |
| • EN 55011/22  | FCC, 47 CFR Part 15 |
| • EN 61000-4-2 | EN 300220-2         |
| • EN 61000-4-3 | IC RSS-247          |

## Standards for Charger:

- IEC 60335:1
- IEC 60335:2
- EN 55014-1
- EN 55014-2
- EN 61000-3-2
- EN 61000-3-3







FO/23/00429 9



levo.pewag.com

**pewag austria GmbH**

A-8041 Graz, Gaslaternenweg 4, Phone: +43 (0) 50 50 11-0, Fax: +43 (0) 50 50 11-100,  
saleinfo@pewag.com,  
[www.pewag.com](http://www.pewag.com)

**Kontakt:**

[levo@pewag.com](mailto:levo@pewag.com)

Phone: +43 50 50 11